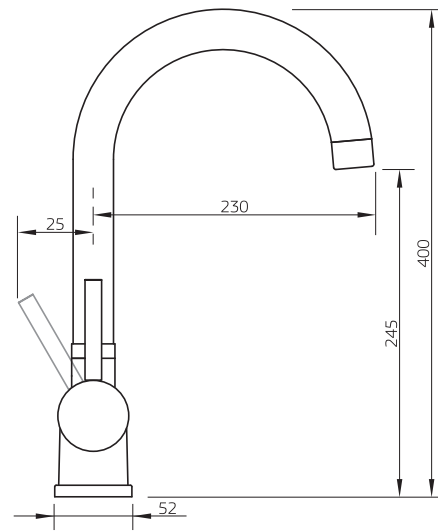


QT12



TRIPLA BL2

**GENERAL INFO**

**DESIGNED FOR MAINS WATER**

**Quick-Twist Filter System with BL2 Mixer Tap**

It's surprising how much difference the right tapware makes. It's not just a complementary addition, it's a genuine finishing touch. A subtle, yet unmistakable enhancement that draws together all the elements in your kitchen and entertaining areas, to create a graceful and cohesive living space.

Installation of The Puretec Quick-Twist filter is quick and easy, and it can fit into place horizontally or vertically. All plumbing connections are included with the system, which has been designed to work with Tripla tapware. This combination includes the QT series filter and the TRIPLA-BL2 mixer.

**SPECIFICATIONS**

Model:	<b>QT12-BL2</b>
Filtration System:	<b>QT Series</b>
Mixer Tap Style:	<b>3-Way Mixer Tap</b>
Mixer Tap Model	<b>TRIPLA-BL2</b>
WELS 3 Star Rated	<b>8 Litres/Minute</b>
Mixer Tap WaterMark	<b>AS/NZS 3718:2005 Licence No. WM 74726 ApprovalMark International</b>
Outlets:	<b>Hot / Cold &amp; Separately Filtered</b>
Maximum Temperature:	<b>40°C</b>
Maximum Pressure:	<b>500 kPa</b>
Micron Rating:	<b>1 Micron*</b>
Tap Hole:	<b>33 mm Diameter</b>
Filter WaterMark:	<b>AS/NZS 3497 Licence No. WM 74617 ApprovalMark</b>
Warranty:	<b>6 years^</b>

**FEATURES & BENEFITS**

- Filtration down to 1 micron\*.
- DIY quick-twist cartridge change.
- New quick installation fitting kit.
- Reduces chlorine, pesticides, bad taste, odours, organic chemicals, dirt, rust and 99.9% Giardia & Cryptosporidium cysts.
- Mounts horizontally or vertically - no shelf cutouts required.
- Latest technology carbon briquette gives up to 12 months filter life.
- All plumbing installation fittings included - no extras needed.
- WaterMark approved.

*Important Note: Use only genuine Puretec replacement cartridge. \*Micron rating is nominal. ^Tripla Tapware Warranty is 1 year parts and labour, plus 5 years parts only. Puretec Quick-Twist Filter Systems Warranty is 1 year parts and labour, plus 9 years parts only and applies to Puretec Systems when used in conjunction with a Puretec filter cartridge. Excludes cartridge.*

For more information contact your local stockist or visit us at [puretecgroupp.com](http://puretecgroupp.com)  
Australia **1300 140 140** | New Zealand **0800 130 140**

**ADDITIONAL INFORMATION**

**Timeless Styling**

It's surprising how much difference the right tapware makes. It's not just a complementary addition, it's a genuine finishing touch. A subtle, yet unmistakable enhancement that draws together all the elements in your kitchen and entertaining areas, to create a graceful and cohesive living space.

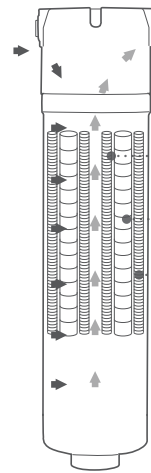
**Hygienic quick cartridge changes**

The valve-in-head design shuts the water off automatically means no mess, the cartridge can be easily replaced - just like changing a light globe. Enjoy water the way it should be, abundant, clear and beautiful tasting from your own water supply, any time of the day.

**Longer filter life**

Using the latest carbon briquette technology that gives up to 12 months filter life. It incorporates Puretec's long life filter technology, so you can go longer between filter replacements.

**QT12 FILTRATION TECHNOLOGY**



**Stage 1**

- Removes fine particles
- Clarifies the water
- Removes sediment, rust, sand, silt & algae.

**Stage 2**

- Eliminates bad taste and odours
- Removes Cysts
- Chemical, pesticides & sulphur reduction

**Stage 3**

- Post filter to ensure that you are getting the cleanest and the best tasting water