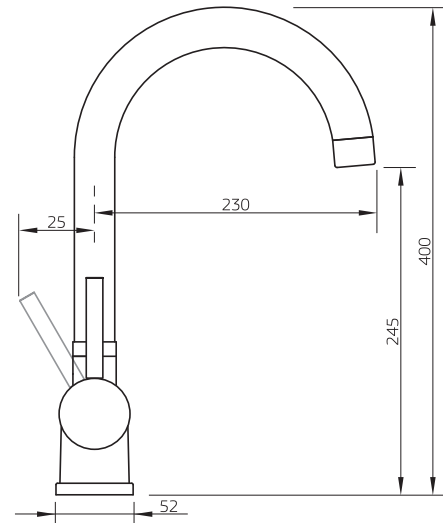


QT12



TRIPLA BL1

GENERAL INFO

DESIGNED FOR MAINS WATER

Quick-Twist Filter System with BL1 Mixer Tap

With its matt black finish and chrome highlights, the Tripla-BL1 is everything modern tapware should be: clean and classy. But its appeal is more than cosmetic. There's a lot of practicality working alongside those striking looks: plenty of clearance and height for filling bottles and jugs, and for washing up. Plus, a chrome lever on one side will give you filtered water, while the lever on the other side will dispense hot and cold tap water. The BL1, like all Puretec Tripla taps, does not mix filtered and unfiltered water.

The Puretec Quick-Twist filter is easy to install, either in a horizontal or vertical position. The system comes with all the required plumbing connections, and is specifically designed to work with Tripla tapware. This combination includes the QT series filter and the TRIPLA-BL1 mixer.

SPECIFICATIONS

Model:	QT12-BL1
Filtration System:	QT Series
Mixer Tap Style:	3-Way Mixer Tap
Mixer Tap Model	TRIPLA-BL1
WELS 3 Star Rated	8 Litres/Minute
Mixer Tap WaterMark	AS/NZS 3718:2005 Licence No. WM 74726 ApprovalMark International
Outlets:	Hot / Cold & Separately Filtered
Maximum Temperature:	40°C
Maximum Pressure:	500 kPa
Micron Rating:	1 Micron*
Tap Hole:	33 mm Diameter
Filter WaterMark:	AS/NZS 3497 Licence No. WM 74617 ApprovalMark
Warranty:	6 years^

FEATURES & BENEFITS

- Filtration down to 1 micron*.
- DIY quick-twist cartridge change.
- New quick installation fitting kit.
- Reduces chlorine, pesticides, bad taste, odours, organic chemicals, dirt, rust and 99.9% Giardia & Cryptosporidium cysts.
- Mounts horizontally or vertically - no shelf cutouts required.
- Latest technology carbon briquette gives up to 12 months filter life.
- All plumbing installation fittings included - no extras needed.
- WaterMark approved.

*Important Note: Use only genuine Puretec replacement cartridge. *Micron rating is nominal. ^Tripla Tapware Warranty is 1 year parts and labour, plus 5 years parts only. Puretec Quick-Twist Filter Systems Warranty is 1 year parts and labour, plus 9 years parts only and applies to Puretec Systems when used in conjunction with a Puretec filter cartridge. Excludes cartridge.*

ADDITIONAL INFORMATION

Timeless Styling

It's surprising how much difference the right tapware makes. It's not just a complementary addition, it's a genuine finishing touch. A subtle, yet unmistakable enhancement that draws together all the elements in your kitchen and entertaining areas, to create a graceful and cohesive living space.

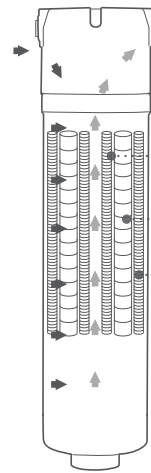
Hygienic quick cartridge changes

The valve-in-head design shuts the water off automatically means no mess, the cartridge can be easily replaced - just like changing a light globe. Enjoy water the way it should be, abundant, clear and beautiful tasting from your own water supply, any time of the day.

Longer filter life

Using the latest carbon briquette technology that gives up to 12 months filter life. It incorporates Puretec's long life filter technology, so you can go longer between filter replacements.

QT12 FILTRATION TECHNOLOGY



Stage 1

- Removes fine particles
- Clarifies the water
- Removes sediment, rust, sand, silt & algae.

Stage 2

- Eliminates bad taste and odours
- Removes Cysts
- Chemical, pesticides & sulphur reduction

Stage 3

- Post filter to ensure that you are getting the cleanest and the best tasting water