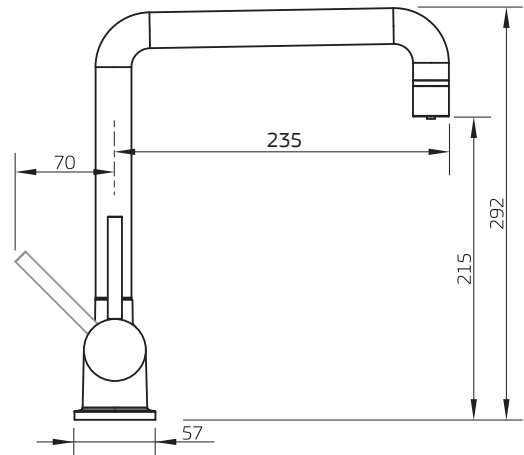


QT12 Filter



TRIPLA T5

GENERAL INFO

DESIGNED FOR MAINSWATER

Quick-Twist Undersink Filter With Tripla T5 LED 3-Way Mixer Tap

The QT12-T5 'tap & filter' package incorporates the latest QT12 filtration technology and the Tripla triple-action tap all-in-one system.

The Puretec QT12 reduces chlorine, taste, odour, chemicals, sediment and cysts, leaving all vital minerals. This innovative filter is easy to install, mounts horizontally or vertically and valve-in-head technology means the water supply is automatically cut off when you change the cartridge. The QT12 can be as easily replaced as changing a light globe!

The Tripla 3-in-1 mixer tap gives you hot, cold, filtered/or rainwater water, all from just one mixer. The filtered and unfiltered water have completely separate lines inside these taps which means there is no cross contamination between filtered and unfiltered water.

Enjoy water the way it should be, abundant, clear and beautiful tasting from your own water supply, any time of the day.

SPECIFICATIONS

Model:	QT12-T5
Filtration System:	QT Series
Mixer Tap Style:	3-Way LED Mixer Tap
Mixer Tap Model:	TRIPLA-T5
WELS 5 Star Rated:	5 Litres/Minute
Mixer Tap WaterMark:	Cert No. 23033 AS/NZ 3718:2005
Outlets:	Hot / Cold & Separately Filtered
Maximum Temperature:	40°C
Maximum Pressure:	500 kPa
Micron Rating:	1 Micron*
Tap Hole:	33 mm Diameter
Filter WaterMark:	AS/NZS 3497 Licence No. WM 74617 ApprovalMark
Warranty:	6 years^

FEATURES & BENEFITS

- Filtration down to 1 micron*.
- DIY quick-twist cartridge change.
- New quick installation fitting kit.
- Reduces chlorine, pesticides, bad taste, odours, organic chemicals, dirt, rust and 99.9% Giardia & Cryptosporidium cysts.
- Mounts horizontally or vertically - no shelf cutouts required.
- Latest technology carbon briquette gives up to 12 months filter life.
- All plumbing installation fittings included - no extras needed.
- Filter change reminder light – LED changes from blue to red.
- WaterMark approved.

*Important Note: Use only genuine Puretec replacement cartridge. *Micron rating is nominal. ^Tripla Tapware Warranty is 1 year parts and labour, plus 5 years parts only. Puretec Quick-Twist Filter Systems Warranty is 1 year parts and labour, plus 9 years parts only and applies to Puretec Systems when used in conjunction with a Puretec filter cartridge. Excludes cartridges.*

For more information contact your local stockist or visit us at puretecgroupp.com
Australia **1300 140 140** | New Zealand **0800 130 140**

ADDITIONAL INFORMATION

Unique Contemporary Design

The Tripla-T5 is as individual as you are. The unique design is futuristic whilst still adding a stylish contemporary dimension to your kitchen.

The handle with the neatly integrated LED light can be easily turned to operate the filtered water and when the filter is due to be replaced the light turns from blue to red. As with all Puretec Tripla taps there is no mixing of filtered and unfiltered water.

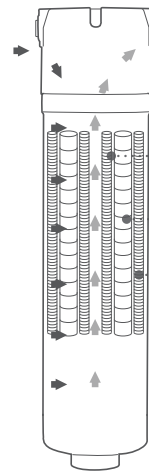
Hygienic Cartridge Change

Valve-in-head means no mess, the QT12 quick-twist cartridge can be easily replaced - just like changing a light globe. Enjoy water the way it should be, abundant, clear and beautiful tasting from your own water supply, any time of the day.

Longer Filter Life

Using the latest carbon briquette technology that gives up to 12 months filter life. It incorporates Puretec's long life filter technology, so you can go longer between filter replacements.

QT12 FILTRATION TECHNOLOGY



Stage 1

- Removes fine particles
- Clarifies the water
- Removes sediment, rust, sand, silt & algae.

Stage 2

- Eliminates bad taste and odours
- Removes Cysts
- Chemical, pesticides & sulphur reduction

Stage 3

- Post filter to ensure that you are getting the cleanest and the best tasting water