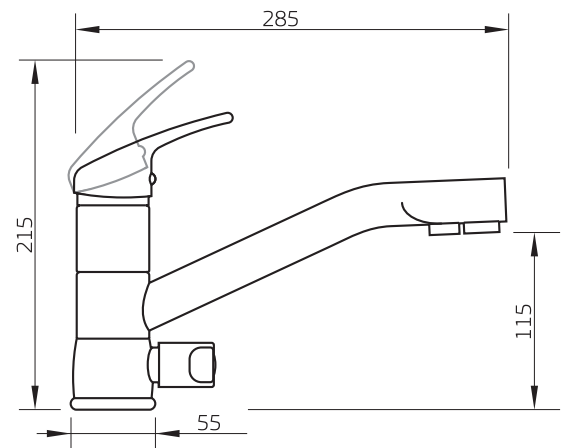


QT12 Filter



TRIPLA T2

**GENERAL INFO**

**DESIGNED FOR MAINS WATER**

**Quick-Twist Undersink Filter with Tripla T2 LED 3-Way Mixer Tap**

The QT12-T2 'tap & filter' package incorporates the latest QT12 filtration technology and the Tripla triple-action tap all-in-one system.

The Puretec QT12 reduces chlorine, taste, odour, chemicals, sediment and cysts, leaving all vital minerals. This innovative filter is easy to install, mounts horizontally or vertically and valve-in-head technology means the water supply is automatically cut off when you change the cartridge. The QT12 can be as easily replaced as changing a light globe!

The Tripla 3-in-1 mixer tap gives you hot, cold, filtered/or rainwater water, all from just one mixer. The filtered and unfiltered water have completely separate lines inside these taps which means there is no cross contamination between filtered and unfiltered water.

Enjoy water the way it should be, abundant, clear and beautiful tasting from your own water supply, any time of the day.

**SPECIFICATIONS**

Model:	<b>QT12-T2</b>
Filtration System:	<b>QT Series</b>
Mixer Tap Style:	<b>3-Way LED Mixer Tap</b>
Mixer Tap Model	<b>TRIPLA-T2</b>
WELS 4 Star Rated	<b>7.5 Litres/Minute</b>
Mixer Tap WaterMark	<b>Cert No. 23033 AS/NZ 3718:2005</b>
Outlets:	<b>Hot / Cold &amp; Separately Filtered</b>
Maximum Temperature:	<b>40°C</b>
Maximum Pressure:	<b>500 kPa</b>
Micron Rating:	<b>1 Micron*</b>
Tap Hole:	<b>33 mm Diameter</b>
Filter WaterMark:	<b>AS/NZS 3497 Licence No. WM 74617 ApprovalMark</b>
Warranty:	<b>6 years^</b>

**FEATURES & BENEFITS**

- Filtration down to 1 micron\*.
- DIY quick-twist cartridge change.
- New quick installation fitting kit.
- Reduces chlorine, pesticides, bad taste, odours, organic chemicals, dirt, rust and 99.9% Giardia & Cryptosporidium cysts.
- Mounts horizontally or vertically - no shelf cutouts required.
- Latest technology carbon briquette gives up to 12 months filter life.
- All plumbing installation fittings included - no extras needed.
- Filter change reminder light – LED changes from blue to red.
- WaterMark approved.

Important Note: Use only genuine Puretec replacement cartridge. \*Micron rating is nominal. ^Tripla Tapware Warranty is 1 year parts and labour, plus 5 years parts only. Puretec Quick-Twist Filter Systems Warranty is 1 year parts and labour, plus 9 years parts only and applies to Puretec Systems when used in conjunction with a Puretec filter cartridge. Excludes cartridges.

**ADDITIONAL INFORMATION**

**Traditional compact design**

The Tripla T2 gives you hot, cold, filtered/or rainwater water, all from just one mixer. The main handle controls hot and cold mains water, and the lever under the spout controls filtered mains/tank water. Just turn it clockwise and your filtered water is delivered via a separate tube and outlet, inside the mixer itself. There's absolutely no mixing of filtered and unfiltered water.

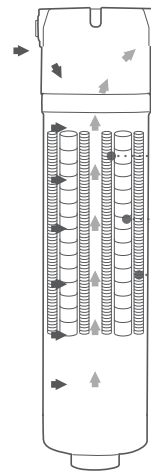
**Hygienic quick cartridge changes**

The valve-in-head design shuts the water off automatically means no mess, the cartridge can be easily replaced - just like changing a light globe. Enjoy water the way it should be, abundant, clear and beautiful tasting from your own water supply, any time of the day.

**Longer filter life**

Using the latest carbon briquette technology that gives up to 12 months filter life. It incorporates Puretec's long life filter technology, so you can go longer between filter replacements.

**QT12 FILTRATION TECHNOLOGY**



**Stage 1**

- Removes fine particles
- Clarifies the water
- Removes sediment, rust, sand, silt & algae.

**Stage 2**

- Eliminates bad taste and odours
- Removes Cysts
- Chemical, pesticides & sulphur reduction

**Stage 3**

- Post filter to ensure that you are getting the cleanest and the best tasting water