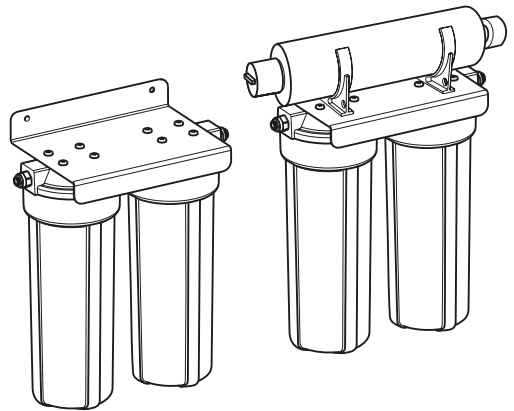




**Puretec**<sup>®</sup>  
PERFECTING WATER



# User Guide

## ES2 / ESR2 Series

Undersink Drinking Water Systems



**WaterMark**

AS/NZS 3497  
Licence No. WM 7617  
Australian Certification  
Services

## What's Inside

Puretec Customer Service.....	2
Operation.....	3
Replacement Guide.....	4
Installation.....	4
Installation Procedure .....	5
Parts Description.....	6
Quick Connect Fittings.....	6
Battery Installation.....	7
Cartridge Installation / Replacement.....	8
CE941 Cartridge Cleaning (ES2 model only).....	8
Cleaning Quartz Sleeve (ESR2 model only) .....	8
Quartz Sleeve Maintenance (ESR2 model only).....	8
UV Installation / Replacement (ESR2 model only).....	9
Warranty.....	10

## Puretec Customer Service

Thank you for purchasing a Puretec water treatment system. Your system is a proven performer manufactured from only quality materials and components and will give years of spring-like water free of impurities, if maintained properly.

**Caution:** Do not use with water that is of unknown quality or outside the parameters on page 4.

The system is designed for rainwater supply but can be used in other situations. For other types of water supply please contact your local Puretec stockist or call our Puretec Customer Service Helpline.

The Puretec filter systems cartridges need replacing regularly to maintain optimum performance. This is a simple procedure when following instructions. For cartridge replacements contact your nearest Puretec stockist.

Customer Service Helpline **1300 140 140** (Australia) **0800 130 140** (New Zealand).

## Operation

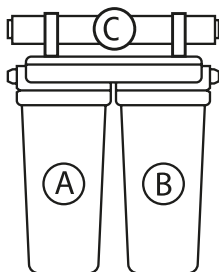
The Puretec water treatment systems are designed to run economically for many years, dependent on the initial installation and periodical maintenance.

Flush systems for 10 minutes after any period of non-use more than 2 days. For a period of non-use of 2 weeks or more, it may be necessary to replace cartridges.

## Replacement Guide

To maintain the high quality of the purified water the cartridges need changing every 6 - 12 months, dependent on water quality and usage.

You can obtain replacement cartridges and/or lamps from your local Puretec dealer and to maintain performance and warranty use genuine Puretec replacements.



	A Cartridge	B Cartridge	C UV Lamp
ES2	PL011	CE941	n/a
ESR2	PL051	MC011-S	RL2

Replace cartridges every 6 - 12 months. Replace all UV Lamps (RL codes) every 12 months.

Other cartridges are available to suit a range of requirements upon request.

**Important note:** When replacing cartridge, ensure you reset the LED reminder light on the faucet by removing/replacing the battery from the rubber seat. Please refer to page 7 for a detailed diagram.

## Installation

This system comes complete with an installation kit enabling it to be connected to 15 mm (½") copper pipe (cold supply only - hot water should be filtered prior to heating).

This product must be installed in accordance with local plumbing regulations by a licensed plumber.

**Installation Note:** A water filter system/tap, like any product, has a limited life and may eventually fail. Also sometimes failure happens early due to unforeseen circumstances. To avoid possible property damage, this product should be regularly examined for leakage and/or deterioration and replaced when necessary. A drain pan, plumbed to an appropriate drain or outfitted with a leak detector, should be used in those applications where any leakage could cause property damage, and/or the water supply should be turned off if no one is home/present.

## Installation Requirements

- 15 mm (½") cold water line.
- Power supply: 240 VAC (ESR2 model only).
- Supply pressure: 300 - 875 kPa. Install pressure limiting valve if pressure exceeds 875 kPa.
- Supply temperature 0 °C - 52 °C.
- Alternative fittings may be required if being connected to anything other than 15 mm (½") copper pipe.
- Caution: Do not use with water that is microbiologically unsafe or of unknown quality without adequate treatment before or after the system.

***Application warning; minimum water characteristics must be met before installation of Radfire™ to ensure proper operation and continuous protection.***

Iron:	less than 0.3 mg/L
Hydrogen Sulphide:	less than 0.05 mg/L
Suspended Solids:	less than 10 mg/L
Manganese:	less than 0.05 mg/L
Hardness:	less than 110 mg/L

## Installation Procedure

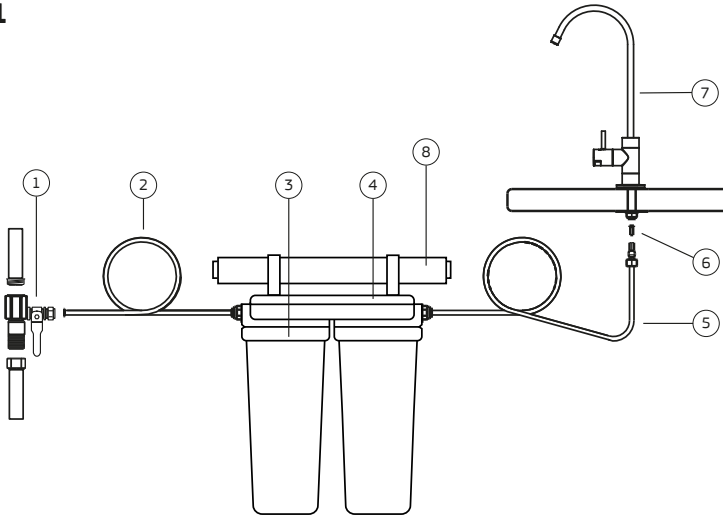
1. Before attempting installation, check all components are intact and have not been damaged in transit.
2. Select a suitable location that is close to the point of filtered water delivery (eg. sink). Remember to allow access room for changing filters and a suitable place where water spillage will not cause damage. Location should not be in direct sunlight. A power outlet is required for ESR2 models.

3. Isolate water supply and install adaptor ballvalve.
4. Choose the best position for the faucet, taking into consideration height of jugs etc. and also the drainage of any spills. Then drill a 12 mm hole and install the faucet as in step 5.
5. To install the faucet, connect spout to the base of the faucet, ensuring that the white circlip is flush with the groove on the spout. Push down on the spout cap until it clicks, then tighten by hand. Once connected, place the escutcheon and O-ring supplied onto the base of the tap. Insert into the counter top or sink and place the plastic washer, lock washer and locking nut onto the thread and tighten, ensuring the tap is in the correct position on the bench. Then place the olive in the 1/4" compression nut, then onto the 1/4" Tube and the olive insert into the end of the tube and attach to the tap thread.
6. Install the filter housing assembly by positioning it in the desired location, marking the position of fixing holes and fixing with mounting screws. Allow 50 mm under the unit for cartridge changes. For ESR2 models, also allow 350 mm clearance to the side of the unit for lamp changes (lamp exit and entry point can be determined by installer).
7. Fit tubing into adaptor ballvalve to the filter and filter to the faucet (see Fig. 2 on how to use quick-connect fittings). Allow slack in the tubing. Make sure flow is right according to inlet outlet on housing assembly.
8. Unscrew filter housing using the spanner wrench.
9. Check O-ring and lubricate with food grade silicone lubricant (or similar).

**Steps 10 to 13 apply to ESR2 models only (ESR models proceed to step 14).**

10. Unscrew the aluminium nuts on each end of the chamber. Never touch the quartz (glass) and lamp surface as marks or fingerprints may interfere with UV transmission. If lamp is soiled, please clean lamp with an alcohol based cleaner.
11. Take the quartz sleeve out of its packaging and slide one of the two O-rings over one end of the quartz sleeve.
12. Carefully slide the quartz sleeve into the chamber via the end with no O-ring and attach the second O-ring onto the end once it is in place.
13. Screw the aluminium nuts back onto to each end of the chamber.
14. Restore the water supply and check for leaks. The filters need to be only hand tight. If they leak then undo housing and check the O-ring is sealed properly.

**Figure 1**



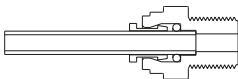
No.	Description
1	Adaptor Ballvalve
2	Flexible Tubing
3	Filter Assembly
4	Mounting Bracket
5	Flexible Tubing
6	Tube, Nut and Ferrule <i>(see separate breakdown on Fig. 3)</i>
7	LED Faucet
8	UV Module (ESR2 model only)

**Figure 2**

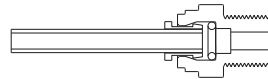
## HOW TO USE QUICK CONNECT FITTINGS



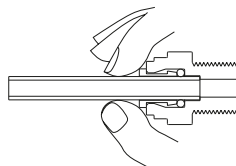
1. Cut the tube square and push in to the tube stop. For metal tube remove burrs and chamfer tube end to prevent O-Ring seal being damaged.



3. Tube is secured in position.



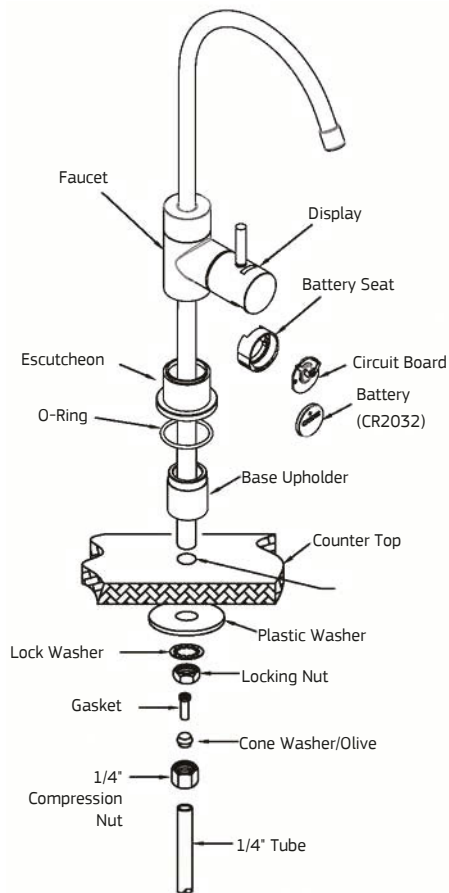
2. Fitting grips before it seals. Ensure tube is pushed in to tube stop.



### DISCONNECTION PROCEDURE

4. Push collet against body and slide tube out of fitting.

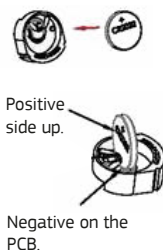
**Figure 3**



## Battery Installation - LED reminder light

Important note: Battery must be replaced when changing cartridges.

1. Remove the black battery seat from the faucet lever handle (see Fig. 3).
2. Install battery into the battery seat, positive side up.



Note: Red light flashes twice and then followed by the blue light.



3. Reinstall battery seat assembly into the faucet lever.
4. Blue light flashes during normal operation.



5. Red light flashes indicates your cartridges are due to be changed (usage has exceeded 3,000 minutes or 12 months). Please change the battery when changing the cartridges.



## WARNING!

This product contains a button battery. Accidental ingestion may occur and can be fatal. Please keep out of reach from infants. If you suspect an accidental ingestion please contact emergency services.

## Cartridge Installation / Replacement

To change the filter cartridges adhere to the following procedure.

1. Turn mains water supply off.
2. Relieve water pressure by operating faucet lever.
3. Unscrew Filter Housing using the spanner wrench and discard cartridges. When removing housings place a container underneath to catch any spillage.
4. Cleanse the inside of the housing using hot water and detergent. Check O-ring and lubricate with food grade silicone lubricant (or similar). Replace O-ring if kinked or damaged (PN: FPOR).
5. Install new cartridges and replace housing screwing them up **HAND TIGHT ONLY**. Sediment filter is on the inlet side and chemical on the outlet side.
6. Restore water supply & check for leaks, rectifying them, if any, before leaving the unit.

After installing cartridges flush unit for 5 - 10 minutes.

## CE941 Cartridge Cleaning (ES2 model only)

Use a toothbrush or a piece of steel wool to clean the cartridge. Flush for 1 - 2 minutes after cleaning. Ceramic elements may be cleaned 100 or more times and will last up to 18 months.

## Cleaning Quartz Sleeve (ESR2 model only)

To ensure high sterilizing rate with best water quality, check sleeve regularly (about every 3 months depending on quality of water source). To see whether there is dirt or substances gathered. Clean with alcohol based cleaner if necessary.

## Quartz Sleeve Maintenance Procedure (ESR2 model only)

1. Unplug the power supply. Remove UV lamp before taking out the quartz sleeve and pour out water. Turn counterclockwise the aluminium nut both sides of the chamber and extremely gently to remove the quartz sleeve.
2. Soak a piece of cloth in vinegar or citric to clean the quartz sleeve.
3. Put the quartz sleeve back into the stainless steel chamber and make equal distance at both sides of the chamber.

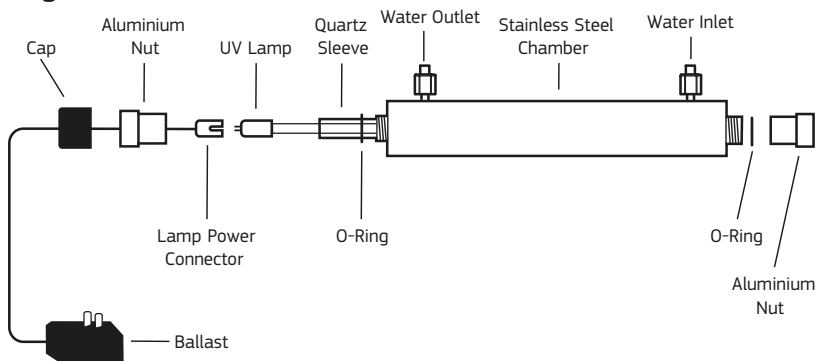


- 4 Dampen the seal O-ring and end of the quartz sleeve then turn clockwise the aluminium nuts with hands tightly.
- 5 Check all connection to prevent leakage.
- 6 Insert UV lamp into stainless steel chamber and put on the rubber cap to complete the cleaning.

## UV Lamp Installation / Replacement (ESR2 model only)

- Prior to performing any work on the steriliser, always disconnect the power supply first.
- Do not look directly into ultraviolet rays emitted from the UV lamp as they will cause serious burns to unprotected eyes.
- This treated water will seem warm at first flow for a short period when it is not used, as the lamp creates heat; you can flush before use.

**Figure 4**



1. Turn aluminium nut clockwise to fix the quartz position (default setting from manufacturer, see Fig. 4).
2. Insert UV lamp into chamber through the hole of the aluminium nut end. Never touch the quartz (glass) and lamp surface as spots of fingerprints may interfere with UV transmission. If lamp is dirtied, please clean lamp with alcohol based cleaner.
3. Put rubber cap on the aluminium nut end to complete the assembly.
4. Plug in power connector with ballast and make sure that the LED is illuminated steadily to start operation. This should be all carried out by relevant qualified tradesmen.

**Note:** For initial use, wait 3-5 minutes to allow water to pass through the whole unit. Turn on point of use to let water flow through the unit for 2-3 minutes to release air and impurities from system.

## Notes

Puretec water care products are designed, manufactured and supported by Puretec Pty Ltd the name you can trust for viable and proven water solutions. The complete range of Puretec products are developed, refined, made to meet and exceed stringent specifications for the worldwide market.

Important: Sales of products are subject to our Terms and Conditions which are available upon request. All specifications, information and photos are a guide only and are subject to change without notice. Please ring to confirm details. Warning: For correct operation of this appliance it is essential to observe manufacturer's instructions.

## Warranty

Any claim under this warranty must be made within 3 Years of the date of purchase of the product. This product is warranted to be free of defect of material and workmanship for 3 Years from date of purchase. 3 year warranty is 1 year parts and labour, plus 2 years parts only. Excludes cartridges.

To make a claim under the warranty, take the product and proof of purchase to place where you purchased the product, and they will lodge a Warranty Request with Puretec.

Puretec will pay your reasonable, direct expenses of claiming under this warranty. You may submit details and proof of your expense claim to place of purchase for consideration.

The warranty only applies if the product was used and/or installed in accordance with the user guide and/or installation instructions. This warranty is given in lieu of all other express or implied warranties and manufacturer shall in no circumstance be held liable for damages consequential or otherwise or delays caused or faulty manufacturing except as excluded by law.

Applicable to all above, is that the warranties need to be approved by Puretec to ensure product was not incorrectly used, installed or claimed. False and incorrect claims will be pursued at Puretec's discretion, including chargeable inspection and labour costs incurred.

## **Warranty/Australia**

This warranty is given by Puretec Pty Ltd, ABN 44 164 806 688, 37-43 Brodie Road, Lonsdale SA 5160, telephone no. 1300 140 140 and email at sales@puretec.com.au.

This warranty is provided in addition to other rights and remedies you have under law: Our goods come with guarantees which cannot be excluded under the Australian Consumer Law. You are entitled to replacement or refund for a major failure and to compensation for other reasonably foreseeable loss or damage. You are also entitled to have the goods repaired or replaced if the goods fail to be of acceptable quality and the failure does not amount to a major failure.

## **Warranty/New Zealand**

This warranty is given by Puretec Ltd, Reg. No 4464398, PO Box 875 Cambridge 3450 NZ, telephone no. 0800 130 140 and email at sales@puretec.co.nz.

This warranty is provided in addition to other rights and remedies you have under law: Our goods come with guarantees which cannot be excluded under the Consumer Guarantees Act. You are entitled to replacement or refund for a major failure and to compensation for other reasonably foreseeable loss or damage. You are also entitled to have the goods repaired or replaced if the goods fail to be of acceptable quality and the failure does not amount to a major failure.



**Puretec**<sup>®</sup>  
PERFECTING WATER

**AUSTRALIA**

P 1300 140 140

E [sales@puretec.com.au](mailto:sales@puretec.com.au)

W [puretec.com.au](http://puretec.com.au)

**NEW ZEALAND**

P 0800 130 140

E [sales@puretec.co.nz](mailto:sales@puretec.co.nz)

W [puretec.co.nz](http://puretec.co.nz)