

GENERAL INFO

MANUAL BACKWASH WATER FILTER SYSTEMS

Removes impurities such as sand, rust & coarse materials in water.

Puretec IMB Series is an innovative filter with a patented system of cleaning composed by two different actions: brushing of the filtering cartridge and high speed discharge. This method allows an efficient and thorough cleaning both of the filtering cartridge and the filter bowl. The cleaning is started by rotating clockwise the upper green knob: this movement activates, at each click, the brushing system and the opening of the discharge valve which creates a high speed tangential flow which removes impurities accumulated in the filter bowl.

FEATURES & BENEFITS

- Brass head means it's tough and resistant to mechanical shear stresses.
- Stainless steel net filtering surface is resistant to mechanical shock and pressure gradients.
- Cleaning brushes are equipped with Silver to inhibit bacterial growth.
- Easy to use large turn and click knob to engage backwash function.



IMB25

Manual backwash, 89 micron 100 Lpm, 25mm connection



IMB50

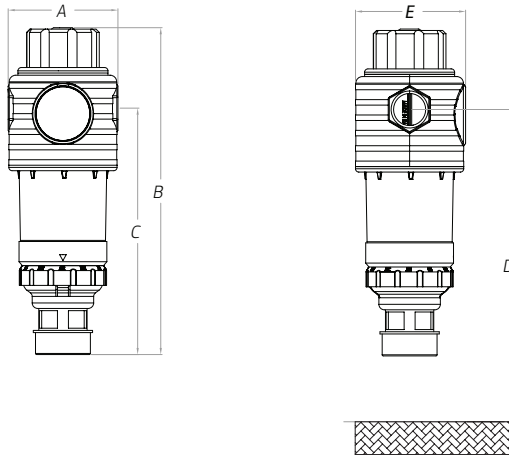
Manual backwash, 89 micron 236 Lpm, 50mm connection

Ordering Code:	IMB25	IMB50
Micron Rating:	89	89
Connection:	1"	2"
Nominal Flow Rate:	100 Lpm	236 Lpm
Maximum Flow Rate:	90 Lpm	216 Lpm
Min/Max Operating Pressure:	150 - 1000 kPa	150 - 1000 kPa
Min Pressure for Backwashing	250 kPa	250 kPa
Min/Max Water Temperature	0 - 30°C	0 - 30°C
Min/Max Ambient Temperature	0 - 40°C	0 - 40°C
Water Consumption During Backwashing	14 L	14 L
Power Supply:	not needed	not needed
Warranty:	1 year^	1 year^

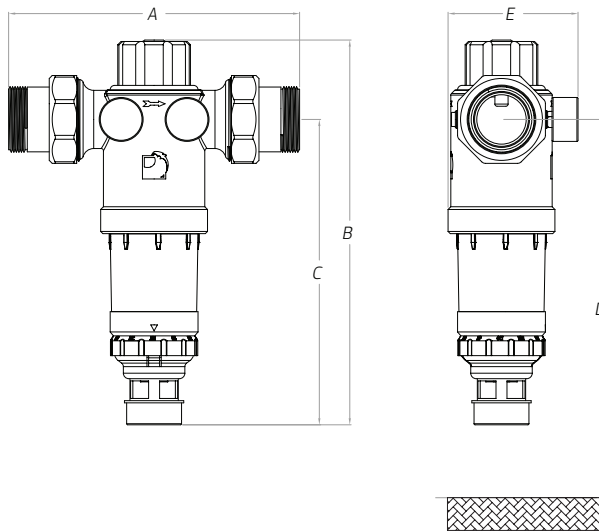
Protect from freezing. Micron rating is nominal.

PRODUCT DIMENSIONS Measurements in Millimeters (mm)

IMB25



IMB50



Code	Connection	A	B	C	D	E
IMB25	1"	100 mm	295 mm	225 mm	400 mm (min)	100 mm
IMB50	2"	265 mm	361 mm	289 mm	400 mm (min)	109 mm

Note:

1. No claims can be made based on the specifications and images in this document. The design, technology, colours, features and prices are subject to change.
2. This document and all its contents are copyright protected. All rights are reserved, particularly alteration, translation and reproduction using electronic systems.
3. ^Warranties in this document cover parts for the period stated and include cover for parts and labour for the first year where applicable, subject to approval. Our Water Filtration Specialists can provide you with advice to suit your needs.