

GENERAL INFO
SOFTROL™ WATER SOFTENING APPLIANCE

Provides softened, purified water throughout your facility.

A WaterMark approved water softener to reduce scaling and spotting in your home. Insist on a certified system.

Hard water is water that contains dissolved minerals such as limestone, iron, sulphur, magnesium and calcium. If these minerals are not removed from your water, they will cause scaling, eventually blocking plumbing and shortening the life of appliances - particularly hot water units, dishwashers, washing machines, etc.

FEATURES & BENEFITS

- A WaterMark approved water softener to reduce scaling and spotting in your water system.
- Glassware is now clear and shiny with no scale, smear or spots.
- Protects against premature replacement of hot water systems and many other appliances and fixtures.
- Enjoy washing your car with a scale-free finish.
- It's easier to wash soap and shampoo out completely so your shower screen is easier to clean.
- Now ice cubes look clearer and more appealing.
- Can also remove traces of metals such as copper, iron and manganese.
- Sleek, modern design to complement your facility.
- Class-leading efficiency due to premium resins and optimised flow dynamics.


SOL30-E3

 Volumetric E3-matic,
 30 Lpm, 25mm connection

SOL40-E3

 Volumetric E3-matic,
 40 Lpm, 25mm connection

SOL30-E1

 Automatic E1-matic,
 30 Lpm, 25mm connection

SOL40-E1

 Automatic E1-matic,
 40 Lpm, 25mm connection

SOL30-SE

 Semi-Automatic,
 30 Lpm, 20mm connection

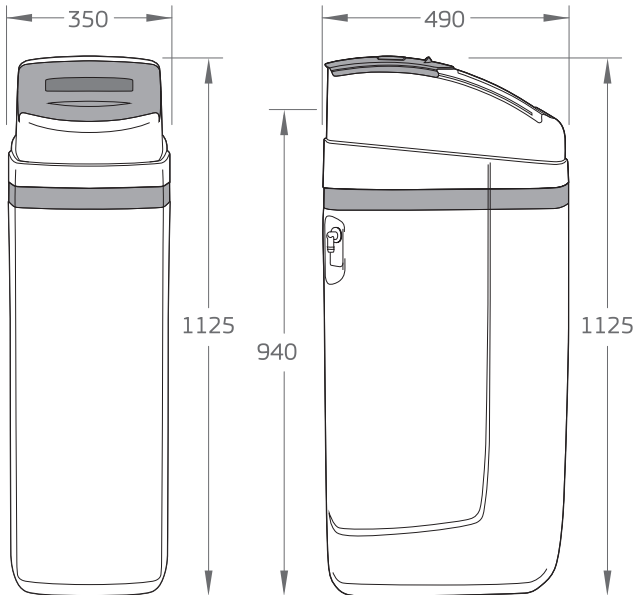
SOL40-SE

 Semi-Automatic,
 40 Lpm, 20mm connection

Ordering Code:	SOL30-E3	SOL40-E3	SOL30-E1	SOL40-E1	SOL30-SE	SOL40-SE
Valve:	Volumetric E3-matic	Volumetric E3-matic	Automatic E1-matic	Automatic E1-matic	Semi-Automatic	Semi-Automatic
Service Flow Rate:	30 Lpm	40 Lpm	30 Lpm	40 Lpm	30 Lpm	40 Lpm
Maximum Flow Rate:	70 Lpm	100 Lpm	70 Lpm	100 Lpm	70 Lpm	100 Lpm
*Capacity:	12,000 litres	18,000 litres	12,000 litres	18,000 litres	12,000 litres	18,000 litres
Inlet / Outlet / Drain Connections:	1" Male BSPT, 1/2" Drain	1" Male BSPT, 1/2" Drain	1" Male BSPT, 1/2" Drain	1" Male BSPT, 1/2" Drain	3/4" Male BSPT, 1/2" Drain	3/4" Male BSPT, 1/2" Drain
Min/Max Operating Pressure:	138 - 520 kPa	138 - 520 kPa	140 - 700 kPa	140 - 700 kPa	138 - 520 kPa	138 - 520 kPa
Operating Temperature:	4 - 45°C (40 - 113°F)	4 - 45°C (40 - 113°F)	4 - 45°C (40 - 113°F)	4 - 45°C (40 - 113°F)	4 - 45°C (40 - 113°F)	4 - 45°C (40 - 113°F)
Power Supply:	230V AC / 50 Hz	230V AC / 50 Hz	230V AC / 50 Hz	230V AC / 50 Hz	not needed	not needed
Warranty:	6 years [^]	6 years [^]	6 years [^]	6 years [^]	6 years [^]	6 years [^]
Replacement Media Kits:	RMK-SOL30	RMK-SOL40	RMK-SOL30	RMK-SOL40	RMK-SOL30	RMK-SOL40
Optional Accessories and media:	WTV5090 - Micro switch for automation of external equipment. WTV5000 - Bypass assembly for testing, and maintenance. PTE30 - Hardness test kit		WTV5050 - Blending valve for partial hardness removal. SS5000 - SoftenerSafe Media, 5 litres			

Note: Chlorine (free chlorine) tolerance is 1ppm - high chlorine levels permanently damage the softening resin & is not covered under warranty. If chlorine exceeds this limit, we recommend a carbon pre-filter such as the WH2 or CFS Series. Please refer to Puretec for a specific recommendation. In any case, a carbon pre-filter is recommended to protect against chlorine spikes & prolong the resin life.

PRODUCT DIMENSIONS Measurements in Millimeters (mm)



SOL30 & SOL40 SERIES

ADDITIONAL INFORMATION

Capacities are based on a hardness of 100ppm. The flow rate while the filter backwashes, needs to be equal to the stated service flow to maintain proper backwash functionality, which is critical for optimum performance of filtration systems.



WaterMark

WMTS103:2016
Licence No. WM 74593
Australian Certification Services

Note:

1. No claims can be made based on the specifications and images in this document. The design, technology, colours, features and prices are subject to change.
 2. This document and all its contents are copyright protected. All rights are reserved, particularly alteration, translation and reproduction using electronic systems.
 3. ^Warranties in this document cover parts and labour for the first year, plus 5 years parts only. Subject to approval.
- Our Water Treatment Specialists can provide you with advice to suit your needs.